



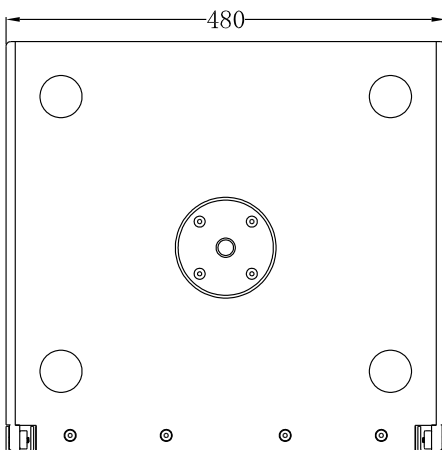
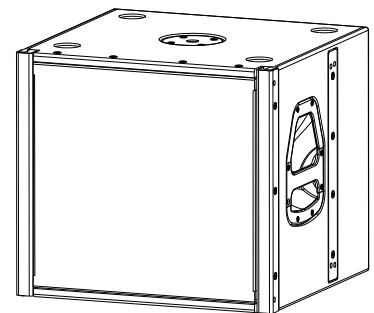
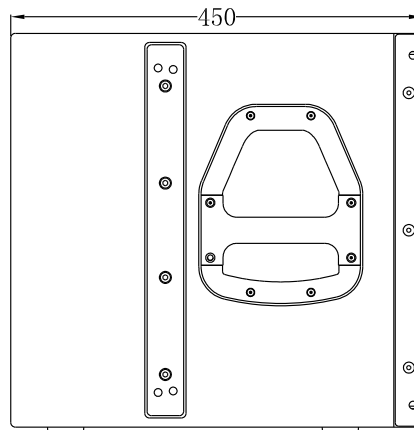
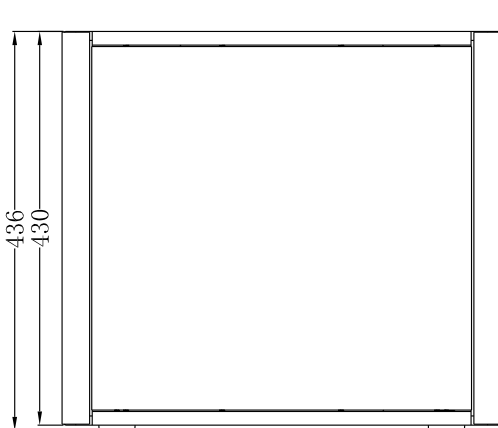
# LB-15 SUBWOOFER



### Features LB-15

- 15" neodymium speaker (4"/100mm voice coil)
- bass reflex design
- rigging (flying) hardware integrated
- M20 pole mount plate
- 2 Neutrik speakon 4-pin
- bass link function
- perforated steel front grill powder coated
- acoustic foam 4mm behind front grill
- 4 x rubber feet
- stackable
- wood housing plywood
- polyurea (PU) high scratch proof coating
- optional regular painting black or white

**SYSTEM 480**  
for stacking and rigging



### specification

| model                             | LB-15          |
|-----------------------------------|----------------|
| rated impedance (optional)        | 8Ω (16Ω)       |
| power handling capacity AES/peak* | 1000W / 3000W* |
| available frequency response**    | 40Hz-250Hz     |
| max. sound pressure level***      | 132dB          |
| LF-transducer rated size          | 15"            |
| LF-transducer voice coil diameter | 4"/100mm       |
| LF-transducer magnet structure    | neodymium      |
| dimension w/h/d in mm             | 480/430/450    |
| weight                            | 21.3kg         |

\* peak 10ms, with TD-8000 amplifier and LB-15 max controller setup

\*\* -10dB with LB-15 FR controller setup

\*\*\*1m free field, pink noise, crest factor 10dB, with TD-8000 and LB-15 SPL controller setup