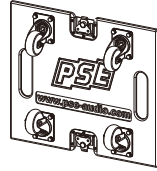
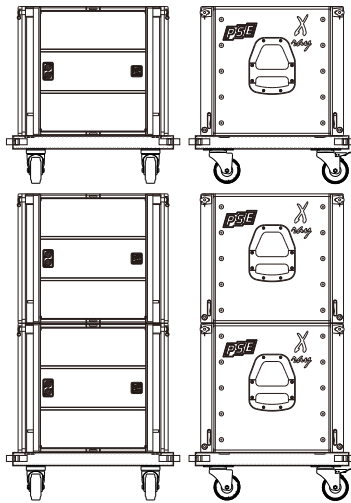


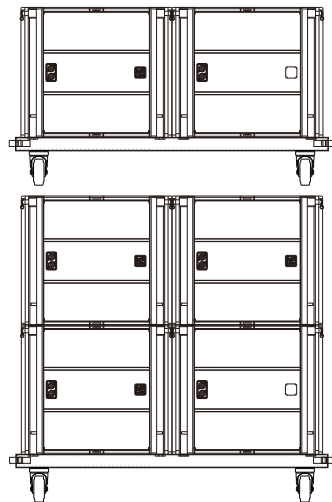
front cover
with caster
ZSCXRS01
without caster
ZSCXRS00



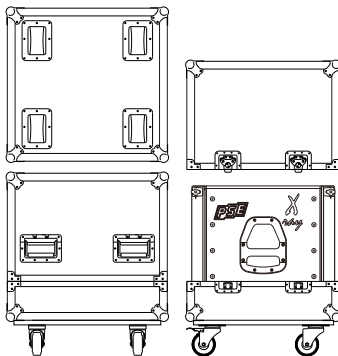
touring cart
ZAMT026
platform space
for 1 X-ray sub



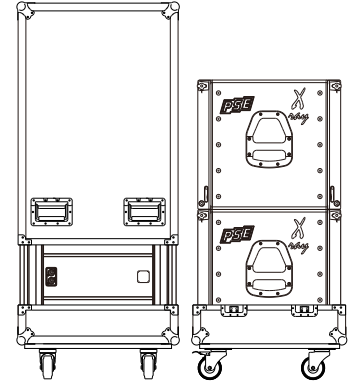
touring cart
ZAMT027
platform space
for 2 X-ray sub



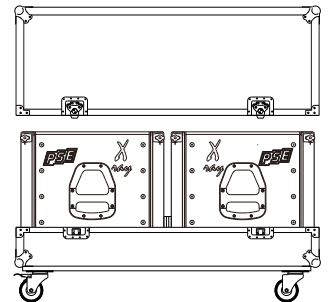
touring case
1 pc. X-ray sub
ZCXs001



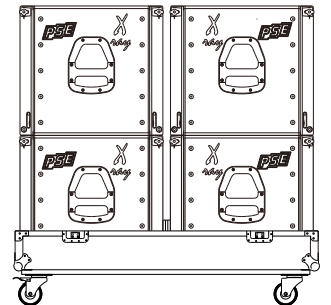
touring case
2 pcs. X-ray sub
vertical
ZCXs002



touring case
2 pcs. X-ray sub
horizontal
ZCXs003



touring case
4 pcs. X-ray sub
ZCX8004



bag X-ray sub
ZB00030

to protect 1 X-ray sub
with front caster board

bags X-ray sub
to protect X-ray subs
on touring carts

ZB00031

to protect 1 X-ray sub

ZB00032
to protect 2 X-ray sub
vertical stack

ZB00033

to protect 2 X-ray sub
horizontal cluster

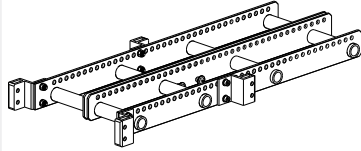
ZB00034

to protect 4 X-ray sub
2x2 cluster



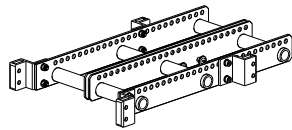
**flying frame XL
ZLAH153**

L: 1041 mm for very big size X-ray 8 arrays or X-ray 8 sub arrays



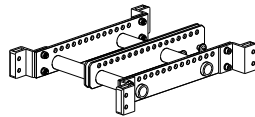
**flying frame L
ZLAH152**

L: 751mm for large size X-ray 8 arrays or X-ray 8 sub arrays



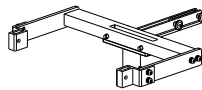
**flying frame M
ZLAH151**

L: 550mm for medium size X-ray 8 arrays or X-ray 8 sub arrays



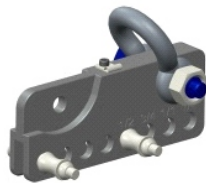
**light frame
ZLAH150**

for small size X-ray 8 arrays and X-ray sub or pole mount of X-ray 8



**load adapter
type A1 (slot)
ZLAH033**

for multi point rigging on the steel panels left and right of the frame



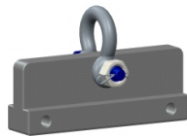
**load adapter
type B1 (tongue)
ZLAH034**

for one point rigging in the center of the frame



**load adapter
type C
ZLAH037**

for light frame only



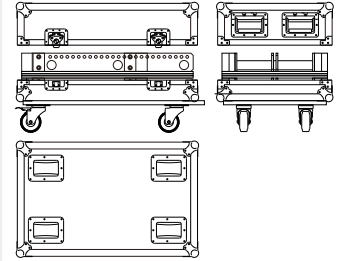
**tripod adapter
ZLAH050**

for light frame only



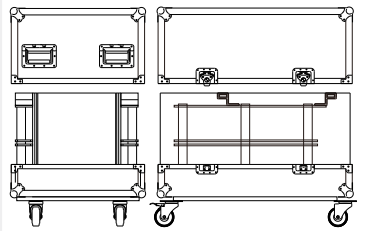
**case flying frame
for 2 pcs. flying frame
ZCX8000**

for M-size frames
ZCX8001
for L-size frames
ZCX-8002
for XL-size framens

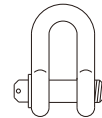


**case flying frame
2 pcs. frame + cable
ZCX8003**

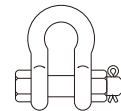
for M-size frames
ZCX8004
for L-size frames
ZCX-8005
for XL-size framens



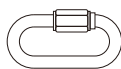
**shackle 1t (11mm)
ZAMT205**
screw bolt



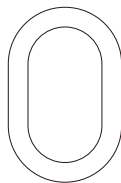
**shackle 1t (11mm)
ZAMT208**
with nut and splint



**shackle 2t (16mm)
ZAMT210**
with nut and splint



**chain link 8mm
ZAMT320**



**oval rigging link
2.1t (16mm)**
inner diameter:
60mm x 110mm
ZAMT305



nylon loops
with steel rope inlay
2000kg load capacity
without additional
safety needed:
850kg load capacity

- l: 0.5m l: 2m
- ZLAH200** **ZLAH203**
- l: 1m l: 2.5m
- ZLAH201** **ZLAH204**
- l: 1.5m l: 3m
- ZLAH202** **ZLAH205**

X ray sub accessories cable and miscellaneous

speaker cable

speakon-speakon 2x4²

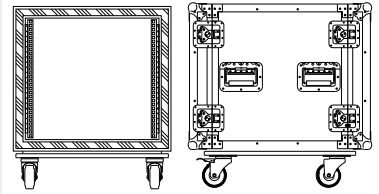
- l: 0,5m **ZK4240BX01**
- l: 0,8m **ZK4240BX04**
- l: 5m **ZK4240BX09**
- l: 8m **ZK4240BX10**
- l: 10m **ZK4240BX11**
- l: 15m **ZK4240BX13**
- l: 20m **ZK4240BX14**
- l: 25m **ZK4240BX15**
- l: 30m **ZK4240BX16**

other cable type, other length and cable by the meter on request



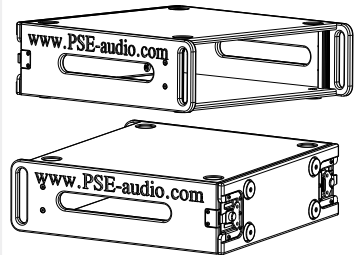
19" touring racks

variations accordingly to the requested height are available
ZCRPxxHE



rack modules

- 2RU **ZCRM02HE**
- 3RU **ZCRM03HE**
- 4RU **ZCRM04HE**
- 5RU **ZCRM05HE**
- 6RU **ZCRM06HE**
- 8RU **ZCRM08HE**
- 10RU **ZCRM10HE**
- 12RU **ZCRM12HE**
- 14RU **ZCRM14HE**
- 16RU **ZCRM16HE**
- 18RU **ZCRM18HE**



signal and patch cable

XLR-XLR black cable

- l: 0,3m **ZKSGXLRB01**
- l: 0,5m **ZKSGXLRB02**
- l: 0,8m **ZKSGXLRB03**
- l: 1m **ZKSGXLRB04**
- l: 2,5m **ZKSGXLRB05**
- l: 5m **ZKSGXLRB06**
- l: 10m **ZKSGXLRB07**
- l: 15m **ZKSGXLRB08**
- l: 20m **ZKSGXLRB09**

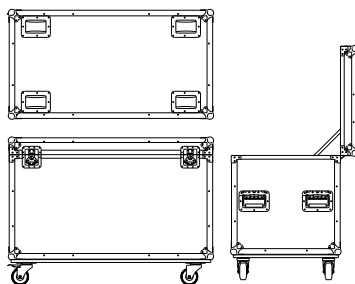
other cable type, other length and cable by the meter on request



cases for cables and accessories

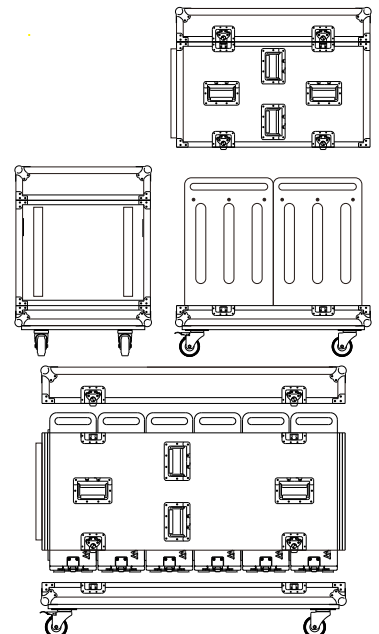
ZCSPZxxx

customized cases: design, shape and color on demand



touring case rack modules

variations accordingly to the requested height are available
ZCSPZRMxx





X ray sub accessories amping and controller



specification						
	T-1500	T-2400	T-3000	TD-3000	TD-5000	TD-8000
output power (prog. peak)** 2Ω	2x1200W	2x1900W	2x2400W	2x2400W	2x3800W	2x6100W
output power* stereo 4Ω	2x750W	2x1200W	2x1500W	2x1500W	2x2500W	2x4000W
output power* stereo 8Ω	2x500W	2x800W	2x1000W	2x900W	2x1450W	2x2400W
output power* bridged 4Ω	1x2000W	1x3200W	1x3800W	1x4000W	1x6300W	1x10000W
output power* bridged 8Ω	1x1500W	1x2400W	1x3000W	1x3950W	1x4100W	1x6200W
power supply	traditional with ring transformer			swich mode		
amplifier electronic circuit	class H2			class TD		
protection	soft start up, short circuit, DC fault, over heat, over load, limiter					
AC-Voltage	220V-240V 50Hz			160V-260V 50Hz		
dimension	19"/ 2RU depth: 485mm			19"/ 2RU depth: 440mm		
weight	18.5kg	19.6kg	19.8kg	15.2kg	15.2kg	15.2kg

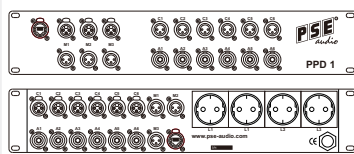
* RMS 1000Hz / max. THD 1% **stereo mode, one channel driven burst signal (program peak) *** burst signal (program peak)

DSP controller

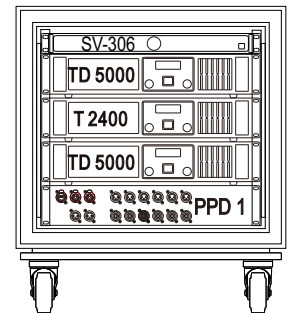


- SV-204 >>>> 2 in - 4 out**
- SV-306 >>>> 3 in - 6 out**
- SV-408 >>>> 4 in - 8 out**

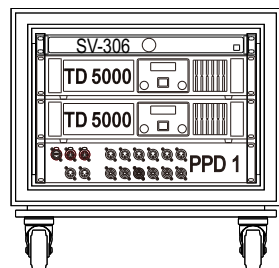
PPD 1
connecting and
pach box
ZE1900001



**touring amp rack
type E**
ZETRX001
ready for plug and play
1 x SV-306 controller
2 x TD-5000 amplifier
1 x T-2400 amplifier
1 x PPD 1



**touring amp rack
type D**
ZETRX000
ready for plug and play
1 x SV-306 controller
2 x TD-5000 amplifier
1 x PPD 1



**touring amp rack
type F**
ZETRX002
ready for plug and play
1 x SV-306 controller
3 x TD-5000 amplifier
1 x PPD 1

