



X ray sub

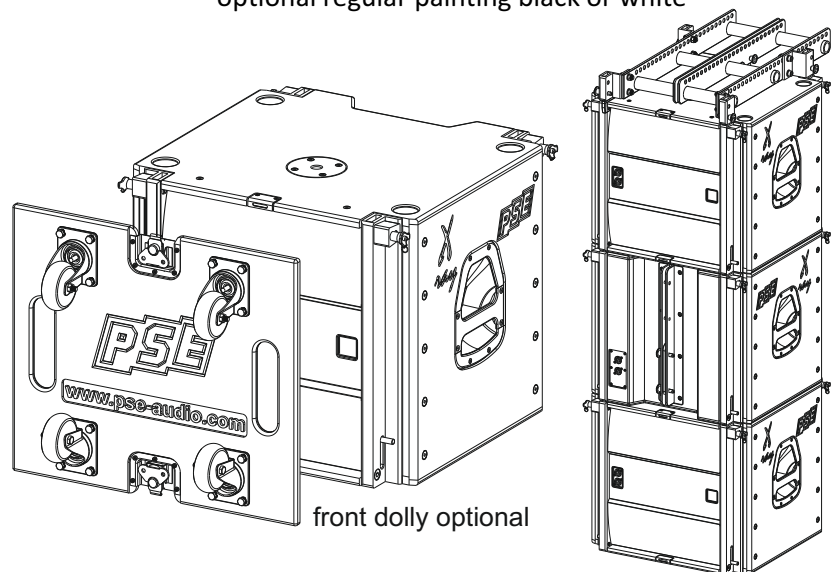
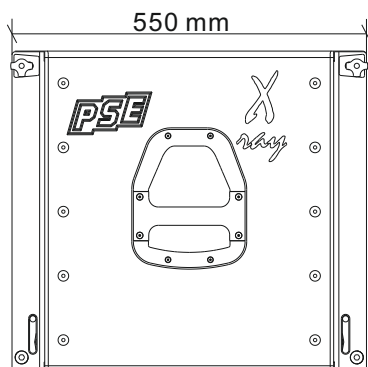
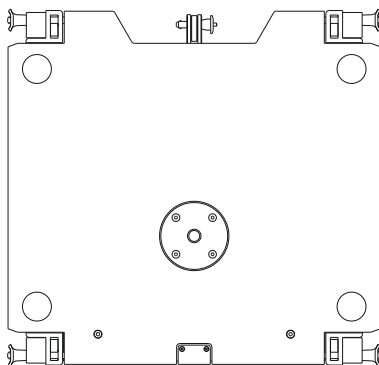
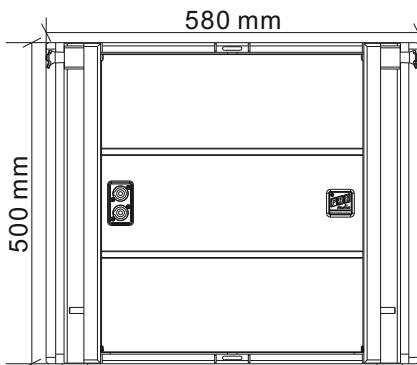
bass cabinet

low-mid extension



Features X-ray sub

- 15" neodymium speaker (4"/100mm voice coil)
- Kevlar™ cone
- bass reflex design
- rigging (flying) hardware integrated
- M20 pole mount plate
- 2 Neutrik speakon 4-pin
- bass link function
- perforated steel front grill powder coated
- acoustic fabric behind front grill
- 4 x rubber feet
- stackable
- plywood wood housing
- polyurea (PU) high scratch proof coating
- optional regular painting black or white



specification	X-ray sub
rated impedance (optional)	8Ω (16Ω)
power handling capacity AES/peak*	1000W / 3000W*
available frequency response**	38Hz-250Hz
max. sound pressure level***	132dB
transducer rated size	15"
midrange-transducer voice coil Ø	4" (100mm)
transducer magnet structure	neodymium
transducer cone material	Kevlar™
dimension w/h/d in mm	580/500/550
weight	37,5kg

* peak 10ms, with TD-8000 amplifier and X-ray sub max controller setup

** -10dB with X-ray sub FR controller setup

***1m free field, pink noise, crest factor 10dB, with TD-8000 and X-ray sub SPL controller setup

NOTE: Kevlar is a trade mark of DuPont for para-aramid synthetic fiber