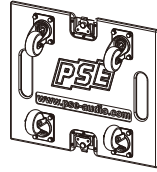
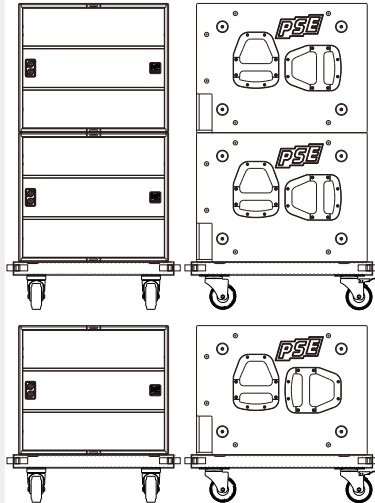


LB-118 accessories

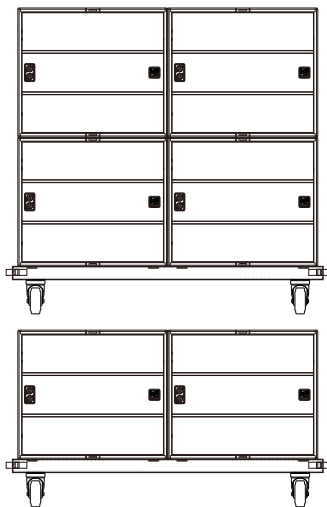
front cover
with caster
ZSCB11801
without caster
ZSCB11800



touring cart
ZAMT028
platform space
for 1 LB-118



touring cart
ZAMT029
platform space
for 2 LB-118



bags LB-118
to protect LB-118
on touring carts
ZB00041

to protect 1 LB-118
ZB00042

to protect 2 LB-118
vertical stack
ZB00043

to protect 2 LB-118
horizontal cluster
ZB00044

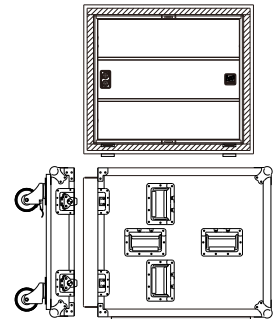
to protect 4 LB-118
2x2 cluster



bag LB-118
ZB00040
to protect 1 LB-118
with front caster board

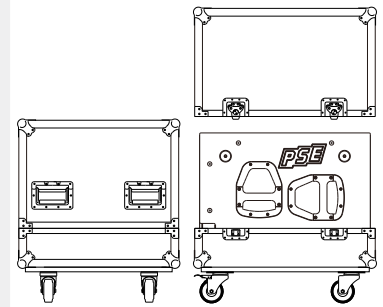
touring case

1 pc. LB-118
ZCLB1180
cabinet can be used
inside the case, the
position of the speaker
connecting panel has
a door to provide the
connection possibility



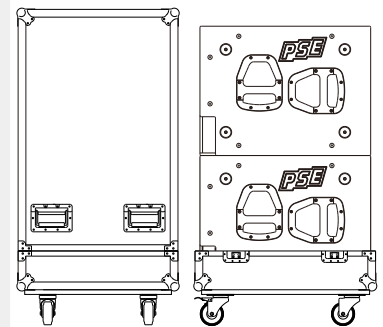
touring case

1 pc. LB-118
ZCLB1181



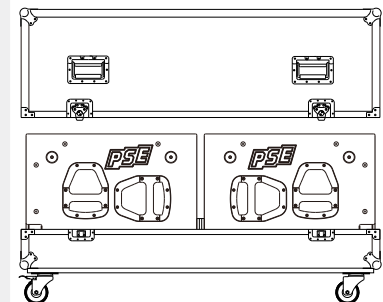
touring case

2 pcs. LB-118
vertical
ZCLB1182



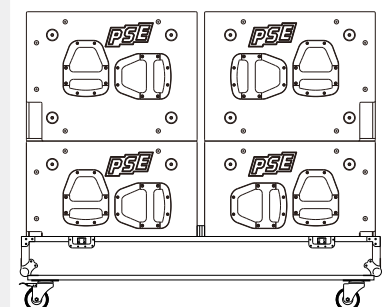
touring case

2 pcs. LB-118
horizontal
ZCLB1183



touring case

4 pcs. LB-118
ZCLB1184



LB-118

accessories

cable and miscellaneous

speaker cable

speakon-speakon 2x4²

- l: 0,5m **ZK4240BX01**
- l: 0,8m **ZK4240BX04**
- l: 5m **ZK4240BX09**
- l: 8m **ZK4240BX10**
- l: 10m **ZK4240BX11**
- l: 15m **ZK4240BX13**
- l: 20m **ZK4240BX14**
- l: 25m **ZK4240BX15**
- l: 30m **ZK4240BX16**

other cable type, other length and cable by the meter on request



signal and patch cable

XLR-XLR black cable

- l: 0,3m **ZKSGXLRB01**
- l: 0,5m **ZKSGXLRB02**
- l: 0,8m **ZKSGXLRB03**
- l: 1m **ZKSGXLRB04**
- l: 2,5m **ZKSGXLRB05**
- l: 5m **ZKSGXLRB06**
- l: 10m **ZKSGXLRB07**
- l: 15m **ZKSGXLRB08**
- l: 20m **ZKSGXLRB09**

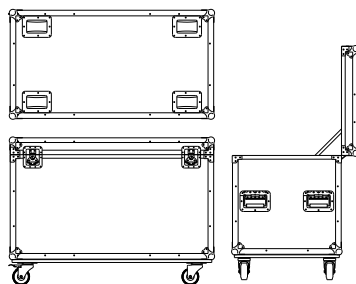
other cable type, other length and cable by the meter on request



cases for cables and accessories

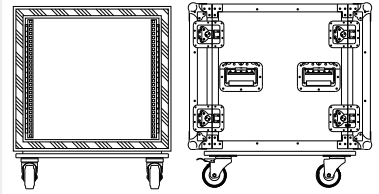
ZCSPZxxx

customized cases: design, shape and color on demand



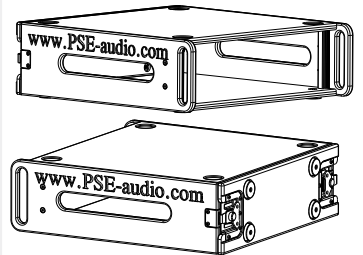
19" touring racks

variations accordingly to the requested height are available
ZCRPxxHE



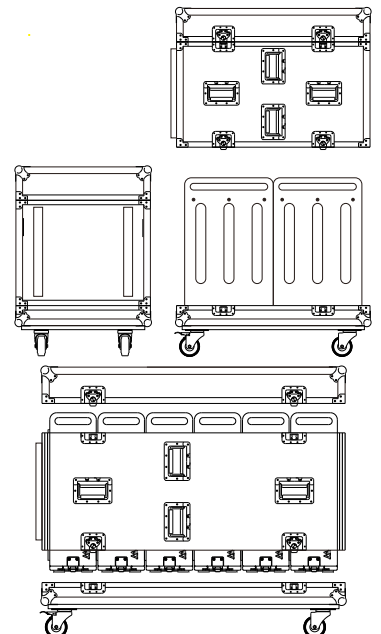
rack modules

- 2RU **ZCRM02HE**
- 3RU **ZCRM03HE**
- 4RU **ZCRM04HE**
- 5RU **ZCRM05HE**
- 6RU **ZCRM06HE**
- 8RU **ZCRM08HE**
- 10RU **ZCRM10HE**
- 12RU **ZCRM12HE**
- 14RU **ZCRM14HE**
- 16RU **ZCRM16HE**
- 18RU **ZCRM18HE**



touring case rack modules

variations accordingly to the requested height are available
ZCSPZRMxx





LB-118

accessories

amping and controller



specification						
	T-1500	T-2400	T-3000	TD-3000	TD-5000	TD-8000
output power (prog. peak)** 2Ω	2x1200W	2x1900W	2x2400W	2x2400W	2x3800W	2x6100W
output power* stereo 4Ω	2x750W	2x1200W	2x1500W	2x1500W	2x2500W	2x4000W
output power* stereo 8Ω	2x500W	2x800W	2x1000W	2x900W	2x1450W	2x2400W
output power* bridged 4Ω	1x2000W	1x3200W	1x3800W	1x4000W	1x6300W	1x10000W
output power* bridged 8Ω	1x1500W	1x2400W	1x3000W	1x3950W	1x4100W	1x6200W
power supply	traditional with ring transformer			swich mode		
amplifier electronic circuit	class H2			class TD		
protection	soft start up, short circuit, DC fault, over heat, over load, limiter					
AC-Voltage	220V-240V 50Hz			160V-260V 50Hz		
dimension	19"/ 2RU depth: 485mm			19"/ 2RU depth: 440mm		
weight	18.5kg	19.6kg	19.8kg	15.2kg	15.2kg	15.2kg

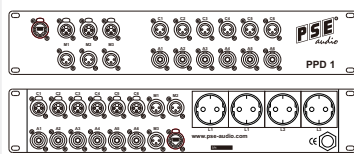
* RMS 1000Hz / max. THD 1% **stereo mode, one channel driven burst signal (program peak) *** burst signal (program peak)

DSP controller

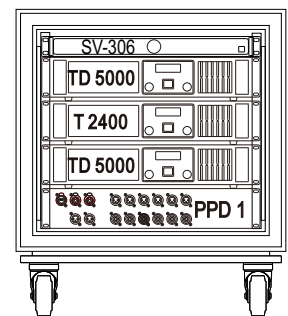


- SV-204 >>>> 2 in - 4 out**
- SV-306 >>>> 3 in - 6 out**
- SV-408 >>>> 4 in - 8 out**

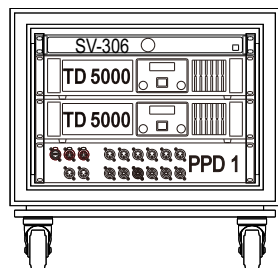
PPD 1
connecting and
pach box
ZE1900001



**touring amp rack
type E**
ZETRX001
ready for plug and play
1 x SV-306 controller
2 x TD-5000 amplifier
1 x T-2400 amplifier
1 x PPD 1



**touring amp rack
type D**
ZETRX000
ready for plug and play
1 x SV-306 controller
2 x TD-5000 amplifier
1 x PPD 1



**touring amp rack
type F**
ZETRX002
ready for plug and play
1 x SV-306 controller
3 x TD-5000 amplifier
1 x PPD 1

