

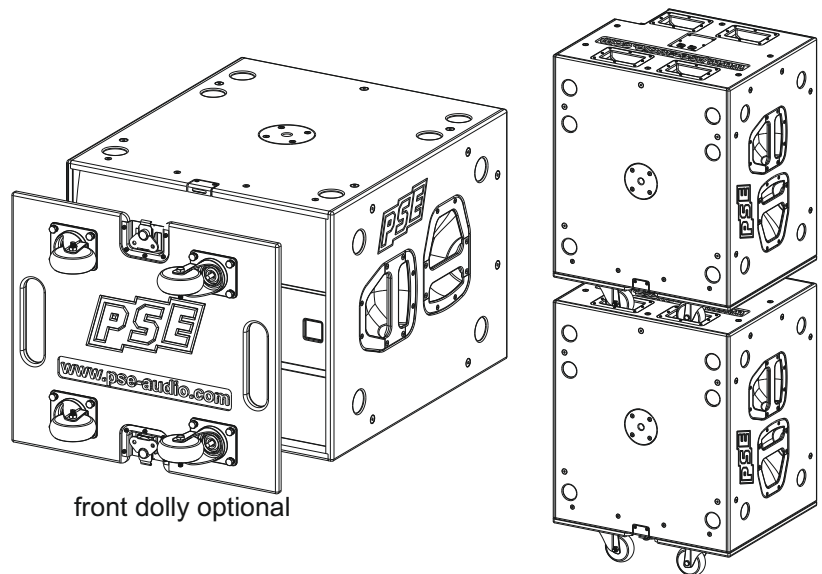
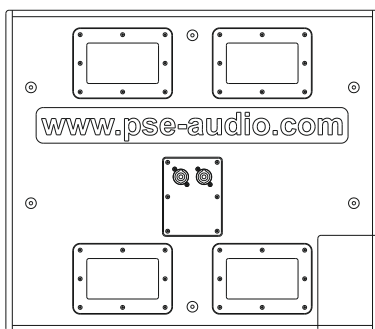
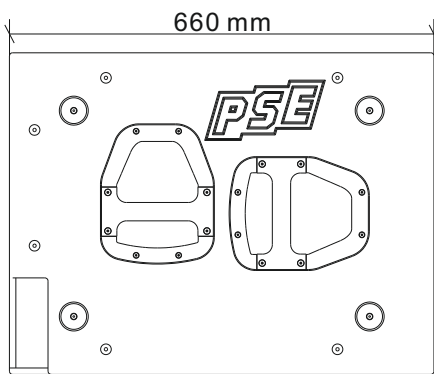
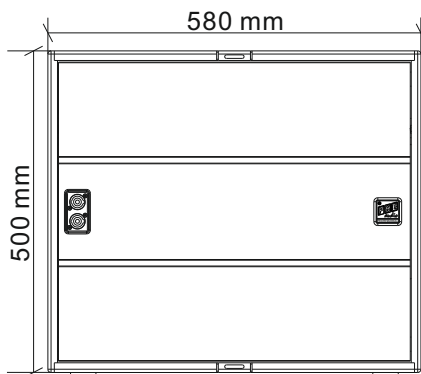


# LB-118 subwoofer



## Features X-ray sub

- 15" neodymium speaker (4"/100mm voice coil)
- carbon cone
- bass reflex design
- rigging (flying) hardware integrated
- 4 caster dish in the back
- M20 pole mount plate
- 2 Neutrik speakon 4-pin regular
- 2 additional hidden Neutrik speakon 4-pin
- bass link function
- perforated steel front grill powder coated
- acoustic fabric behind front grill
- 4 x rubber feet
- stackable
- plywood wood housing
- polyurea (PU) high scratch proof coating
- optional regular painting black or white



front dolly optional

specification	LB-118
rated impedance (optional)	8Ω (16Ω)
power handling capacity AES/peak*	1500W / 4500W*
available frequency response**	35Hz-200Hz
max. sound pressure level***	137dB
transducer rated size	18"
midrange-transducer voice coil Ø	5" (125mm)
transducer magnet structure	neodymium
transducer cone material	carbon fiber
dimension w/h/d in mm	580/500/660
weight	38kg

\* peak 10ms, with TD-8000 amplifier and LB-118 max controller setup

\*\* -10dB with LB-118 FR controller setup

\*\*\*1m free field, pink noise, crest factor 10dB, with TD-8000 and LB-118 SPL controller setup