

Features C-43

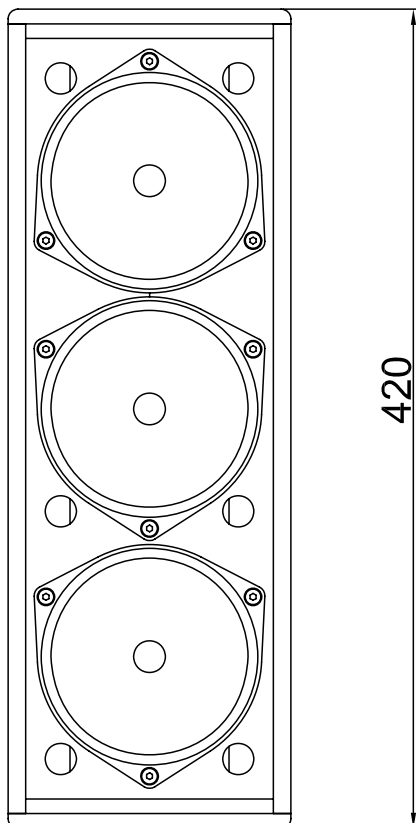
- 3 x 4" speaker ferrite (25mm voice coil)
- optional 100V transformer
- 4 M8 mounting points
- 2 push terminals
- perforated steel front grill powder coated
- acoustic textile 2mm (on top)
- wood housing class A MDF 10mm
- polyurea (PU) high scratch proof coating
- optional regular painting black or white

Appliance C-43

- speech PA (speech broadcast)
- high-mid unit for fix installation (music)

Application C-43

- meeting room
- meeting hall
- church
- public and waiting halls



specification	
model	C-43
rated impedance (optional)	5,33Ω (24Ω)
100V transformer	optional
operation mode	passive
power handling capacity passive AES/peak*	150W / 450W*
available frequency response**	110Hz-18kHz
max. sound pressure level***	123dB
directivity (h x v)	90° x 50°
LF-transducer rated size	3 x 4"
LF-transducer voice coil diameter	25mm/1"
LF-transducer magnet structure	ferrite
dimension h/w/d in mm	420/145/150
weight	5.5kg

* peak 10ms, with TD-8000 amplifier and C-43 max controller setup

** -10dB with C-43FR controller setup

***1m free field, pink noise, crest factor 10dB, with TD-8000 and C-43SPL controller setup

recommended subwoofer for music sound

