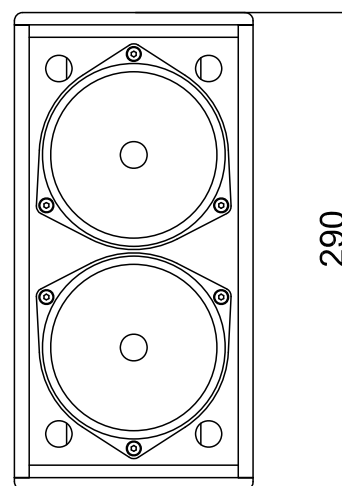
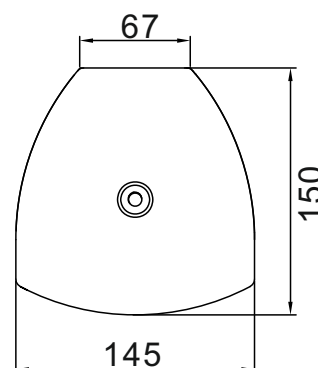
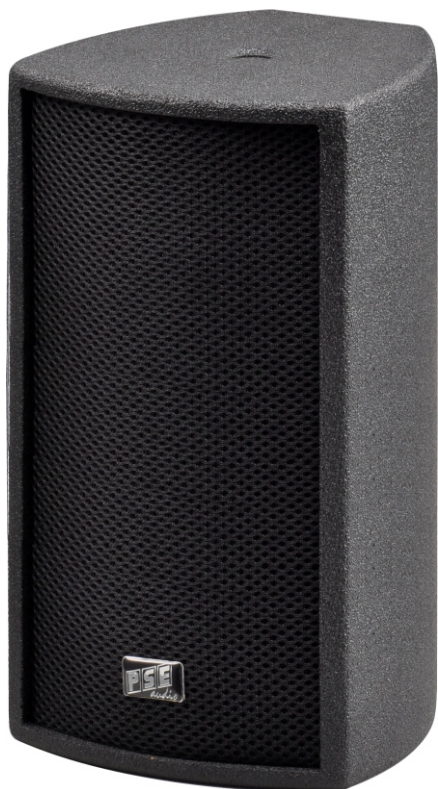




C-42



specification	
model	C-42
rated impedance (optional)	8Ω (16Ω)
operation mode	passive
power handling capacity passive AES/peak*	100W / 300W*
available frequency response**	120Hz-18kHz
max. sound pressure level***	119dB
directivity (h x v)	90° x 60°
LF-transducer rated size	2 x 4"
LF-transducer voice coil diameter	25mm/1"
LF-transducer magnet structure	ferrite
dimension h/w/d in mm	290/145/150
weight	3.7kg

Features C-42

- 2 x 4" speaker ferrite (25mm voice coil)
- 4 M8 mounting points
- 2 push terminals
- perforated steel front grill powder coated
- acoustic textile 2mm (on top)
- wood housing class A MDF 10mm
- polyurea (PU) high scratch proof coating
- optional regular painting black or white

Appliance C-42

- high-mid unit for fix installation
- background music
- delay line
- multimedia sound system
- surround cabinet

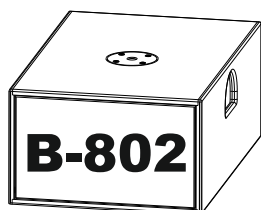
Application C-42

- bars & coffee shops
- shops
- meeting room
- home cinema
- home entertainment HiFi

* peak 10ms, with TD-8000 amplifier and C-42 max controller setup

** -10dB with C-42FR controller setup

***1m free field, pink noise, crest factor 10dB, with TD-8000 and C-42SPL controller setup



recommended
subwoofer