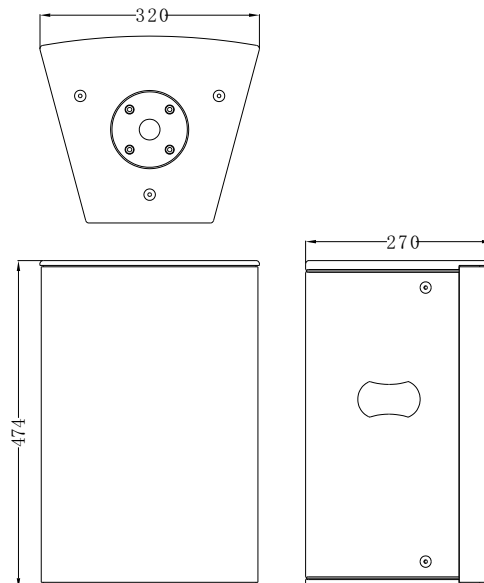
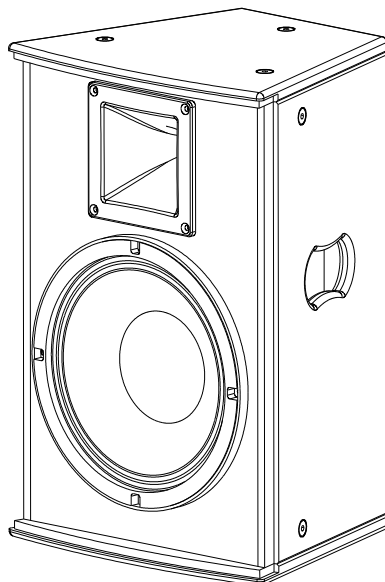




EL-10



specification

model	EL-10
rated impedance	8 Ω
operation mode	passive
power handling capacity passive AES/peak*	400W / 1200W*
available frequency response**	70Hz-20kHz
max. sound pressure level***	128dB
directivity (h x v)	90°/60° (90°rotatable)
LF-transducer rated size	10"
LF-transducer voice coil diameter	64mm/2.5"
LF-transducer magnet structure	ferrite
HF-compression driver rated size (VC)	34mm/1.35"
HF-compression throat diameter	1"
HF-compression magnet structure	ferrite
dimension h/w/d in mm	474/320/270
weight	15kg

* peak 10ms, with TD-8000 amplifier and EL-10 max controller setup

** -10dB with EL-10 FR controller setup

***1m free field, pink noise, crest factor 10dB, with TD-8000 and EL-10 SPL controller setup

Features EL-10

- 10" speaker ferrite (2.5"/64mm voice coil)
- 1x1.35" (34mm) compression driver ferrite
- high frequency horn 1" throat
- horn directivity h90°/v60°
- 90° turnable high frequency horn to v60°/h90°
- trapezoid housing
- tripod (pole mount) flange
- 12 M8 mounting points
- 2 Neutrik speakon 4-pin
- bass link function
- high-mid link function
- perforated steel front grill powder coated
- acoustic foam 4mm behind front grill
- wood housing class A MDF 15mm
- polyurea (PU) high scratch proof coating
- optional regular painting black or white

Appliance EL-10

- high-mid unit for fix installation
- high-mid unit for mobile PA
- fullrange PA cabinet
- background music
- delay line

Application EL-10

- discotheque, clubs, bars, entertainment,
- meeting room

small variety of wide range for bass cabinets extension

