

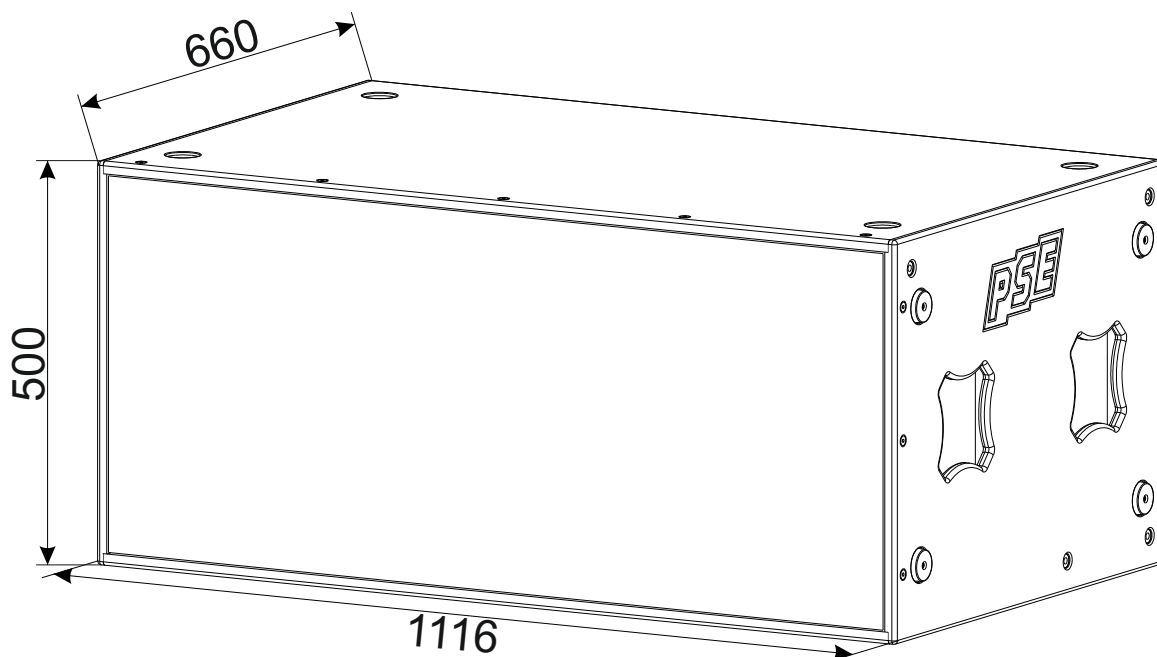


LB-218i SUBWOOFER



Features LB-218i

- 2x18" neodymium speaker (5"/125mm voice coil)
- bass reflex design
- 8 x M8 mounting points
- 2 Neutrik speakon 4-pin
- bass link function
- perforated steel front grill powder coated
- acoustic foam 4mm behind front grill
- 8 x rubber feet
- stackable in two directions
- wood housing plywood
- polyurea (PU) high scratch proof coating
- optional regular painting black or white
- optional front board with butterfly locks
- optional detto. with 4 steering caster



specification	
model	LB-218i
rated impedance (optional)	8Ω (4Ω,16Ω)
power handling capacity AES/peak*	3000W / 9000W*
available frequency response**	32Hz-180Hz
max. sound pressure level***	140dB
LF-transducer rated size	2x18"
LF-transducer voice coil diameter	5"/125mm
LF-transducer magnet structure	neodymium
dimension w/h/d in mm	1160/500/660
weight	72kg

* peak 10ms, with TD-8000 amplifier and LB-218i max controller setup

** -10dB with LB-218i FR controller setup

***1m free field, pink noise, crest factor 10dB, with TD-8000 and LB-218i SPL controller setup