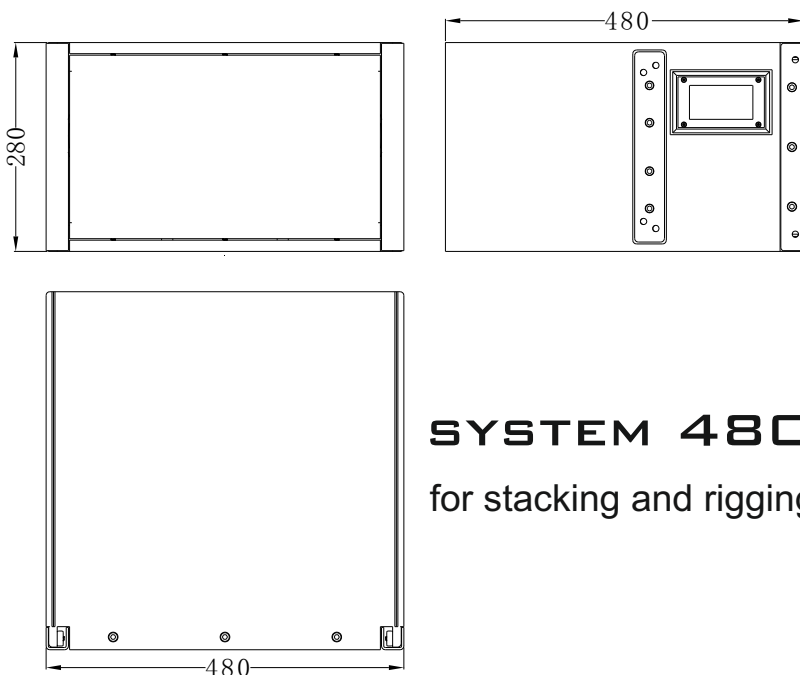
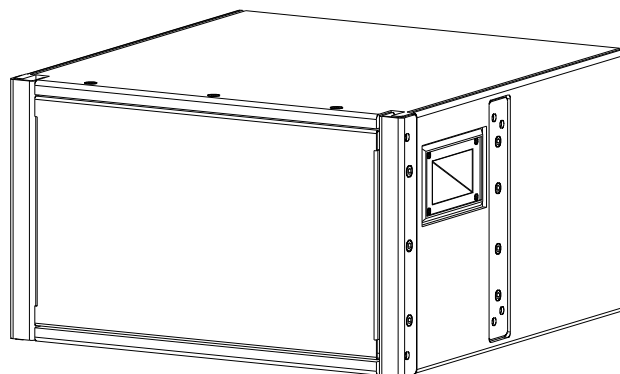




# B-802 SUBWOOFER



## SYSTEM 480 for stacking and rigging

### Features B-802

- 2x8" speaker ferrite (2.5"/64mm voice coil)
- bass reflex design
- rigging (flying) hardware integrated
- M20 pole mount plate
- 2 Neutrik speakon 4-pin
- bass link function
- perforated steel front grill powder coated
- acoustic foam 4mm behind front grill
- 4 x rubber feet
- stackable
- wood housing plywood 15mm
- polyurea (PU) high scratch proof coating
- optional regular painting black or white

### Features B-802i

- 2x8" speaker ferrite (2.5"/64mm voice coil)
- bass reflex design
- 8 x M8 mounting points
- 2 Neutrik speakon 4-pin
- bass link function
- perforated steel front grill powder coated
- acoustic foam 4mm behind front grill
- 4 x rubber feet
- stackable
- wood housing plywood 15mm
- texture painting black
- optional texture painting white or other colours
- optional plane matt painting black or white

### Features B-802deluxe

- 2x8" speaker ferrite (2.5"/64mm voice coil)
- bass reflex design
- binding post connection
- perforated steel front grill powder coated
- acoustic foam 10mm
- wood housing 1. class MDF 15mm
- high luster lacquer in black
- optional high luster lacquer in white or colours
- optional texture painting white or colours
- optional plane matt painting black or white

specification	
model	<b>B-802</b>
rated impedance (optional)	8Ω (4Ω, 16Ω)
power handling capacity AES/peak*	700W / 2100W*
available frequency response**	45Hz-250Hz
max. sound pressure level***	127dB
LF-transducer rated size	2x8"
LF-transducer voice coil diameter	2.5"/64mm
LF-transducer magnet structure	Ferrite
dimension w/h/d in mm	480/280/480
weight	19.8kg

\* peak 10ms, with TD-8000 amplifier and B-802 max controller setup

\*\* -10dB with B-802 FR controller setup

\*\*\*1m free field, pink noise, crest factor 10dB, with TD-8000 and B-802 SPL controller setup